



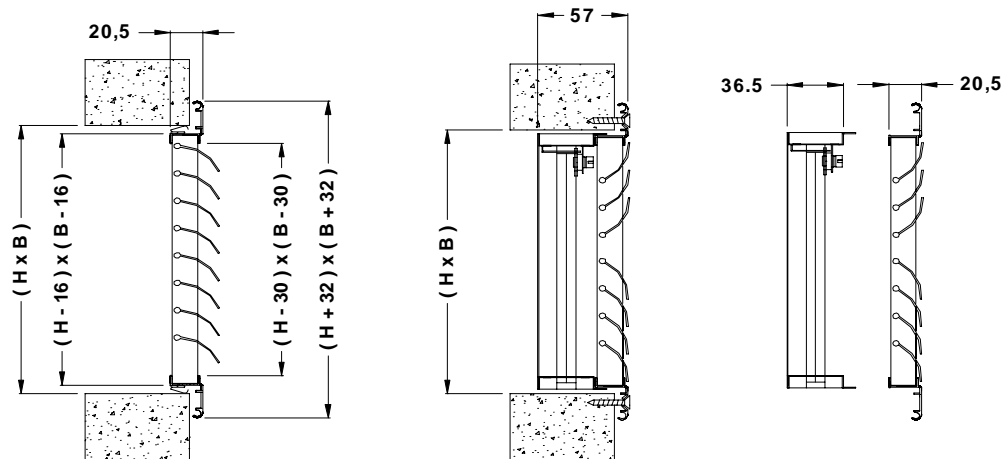
SUPPLY DIFFUSERS WITH CURVED BLADES

KG
SERIES

OVERVIEW TECHNICAL CHARACTERISTICS

OVERVIEW AND CHARACTERISTICS :

The KG series is made up of a range of fully adjustable inlets, with curved blades that can be oriented individually, arranged in one or two ranks. The first horizontal rank of curved blades is used to control the way the air is emitted, and controls the angle the airflow is deflected. The second horizontal rank with straight blades, when fitted, is used to correct the lateral direction in which the air moves. Frame : In extruded aluminium, 25 mm in width, with rounded edges and made up in four parts, which are connected to one another invisibly using a mechanical assembly system. Blades : In extruded aluminium at 20 mm centres, hinged on a self-locking nylon track, which is inserted into the frame. Transverse reinforcing : Included for all the diffusers which are longer than 600 mm. Damper : Made entirely of steel, with multiple fins that move in opposite directions. Counterframe: Rigid structure in steel sheet suitable for installing using exposed screws and hidden clips. Installing the diffuser on a wall or ceiling: Done using a system without screws and with clips and a counterframe, with the screw system traditionally used directly on the ducting or wall, or using clips or screws directly into the plenum chamber. Finish : The KG series is made in natural anodised aluminium or with an epoxy powder coating finish - colour RAL 9010.



KG 1 L

KG 2 L

KG 1 C

KG 2 C

