



CIRCULAR DIFFUSERS WITH ADJUSTABLE CONES

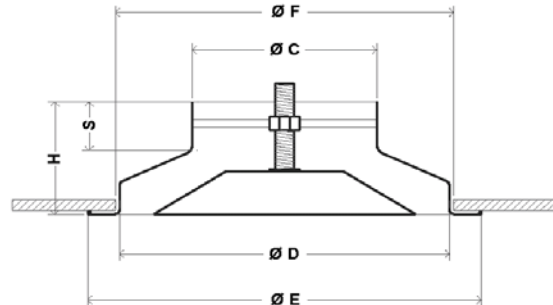
KU9
SERIES

OVERVIEW

The KU9 series variable cone diffusers are made from varnished aluminium RAL 9010 and are regulated by means of a micrometric screw.

The diffuser can be supplied already incorporated of a 595x595 panel for a direct installation on a false ceiling.

The fixing is done with the use of screw positioned on the neck of the diffuser.



BUILDING DIMENTIONS :

MODEL	Ø C	Ø D	Ø E	Ø F	H	S	N° cones
100	98	194	230	198	75	30	1
150	148	280	335	288	105	45	1
160	157	280	335	288	105	45	1
200	198	360	423	370	118	48	1
250	248	445	517	461	130	48	1

CHARACTERISTICS :

KU9 100

V _c	2	3	4	5	6	7	8	9	10
Q	58	86	115	144	173	201	230	259	288
L _x	0,4	0,6	0,9	1,2	1,4	1,6	1,8	2,1	2,4
Δp _s	9	19	32	48	66	88	112	138	168
L _p	<25	25	30	35	40	45	50	55	>55

KU9 150

V _c	2,5	3	3,5	4	5	6	7	7,5	8
Q	80	120	150	170	220	270	300	320	350
L _x	1,0	1,2	1,4	1,5	1,9	2,2	2,8	3,0	3,1
Δp _s	6	10	14	18	25	35	50	65	67
L _p	<20	20	25	30	33	40	45	45	>50

KU9 160

V _c	2	2,5	3	3,5	4	5	6	7	8
Q	90	120	160	210	250	275	400	480	500
L _x	0,8	1,2	1,4	1,8	2,0	2,2	2,6	3,5	3,6
Δp _s	4	6	10	14	18	25	37	50	65
L _p	<20	<20	20	25	30	35	40	45	>50

KU9 200

V _c	2	2,5	3	3,5	4	5	6	7	8
Q	150	200	240	270	300	400	500	600	680
L _x	1,0	1,3	1,6	1,9	2,1	2,6	3,2	3,7	4,8
Δp _s	4	6	10	14	18	25	35	50	65
L _p	<20	20	23	25	30	35	40	45	>50

KU9 250

V _c	2	2,5	3	3,5	4	5	6	7	8
Q	240	270	350	410	500	600	900	1000	1400
L _x	1,3	1,6	1,9	2,2	2,6	3,0	4,0	4,5	5,0
Δp _s	4	6	10	15	18	25	35	50	65
L _p	<20	20	25	30	33	40	45	50	>50



V _c [m/s]	Velocity in the neck of the diffuser
Q [m ³ /h]	Load
L _x [m]	Horizontal throw
Δp _s [Pa]	Load/Pressure loss
L _p [dB(A)]	Acoustic level



CIRCULAR DIFFUSERS WITH ADJUSTABLE CONES

CODES

KU9
SERIES

Image		
Code	KU 9	KUT 9
Model	Circular diffuser with adjustable cone	Circular diffuser with adjustable cone with con 595x595 panel
100	X	X
150	X	X
160	X	X
200	X	X
250	X	X

KU 9 Circular diffuser with adjustable cone
T Diffuser with 595x595 panel

Example: KU T 9 200
Circular diffuser with adjustable cone with 595x595 panel for false ceiling, diameter 200 mm.